

Brake Performance Tests of Automobiles



The bar meter display realizes visibility equivalent to analog meter.

Load cell to measure automobile pedal force
TC-PF(T)

24-bit/1kHz A/D conversion
Portable Digital Indicator

TD-01
Portable

Check 1

Ultra-thin construction reduces a feeling of strangeness during operation.

Check 2

No slip even when pedaling strongly due to adopting our unique anti slip sheet.

This can be fixed to the pedal through hook-and-loop fastener.

The TC-PF(T) series is a pedal force meter that measures force exerted on the brake pedal of automobiles.

It's thin and lightweight, also easy to install due to supporting various pedal shapes.

Furthermore, adopting a strong cable that is hard to break even with intense vibration, it enables to verify hard/harsh braking, running on rough roads, and so on with actual sense of pedal operation feeling.

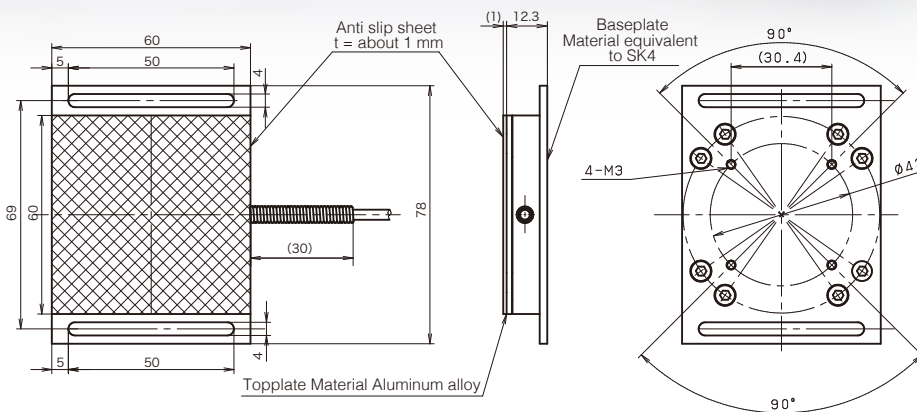
In combination with Portable Digital Indicator TD-01 Portable, on-site verification can be done easily.

Load cell to measure automobile pedal force

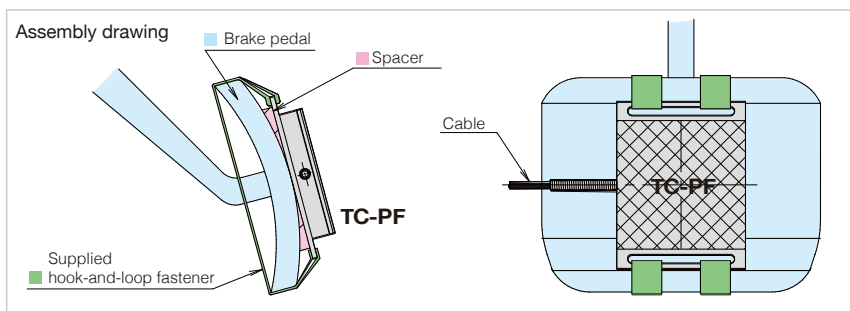
TC-PF(T)

24-bit/1kHz A/D conversion
Portable Digital Indicator

TD-01
Portable



The parts without dimensions in the drawings are superseded by the actual object.



Rated Capacity	500N, 1kN
Safe Overload Rating	150%R.C.
Rated Output (R.O.)	About 1 mV/V (2000×10 ⁻⁶ strain)
Linearity	±0.3%R.O.
Hysteresis	±0.3%R.O.
Repeatability	±0.2%R.O.
Zero Balance	± 10%R.O.
Safe Excitation Voltage	AC, DC, 8V
Input Terminal Resistance	350Ω ± 5 %
Output Terminal Resistance	350Ω ± 5 %
Insulation resistance	1000 MΩ 以上 (DC50V)
Compensated Temperature Range	0°C~50°C (Without condensation)
Safe Temperature Range	-10°C~+70°C (Without condensation)
Temperature Effect on Zero Signal	±0.5%R.O./10°C
Temperature Effect on Output	±0.5%R.O./10°C
Cable	φ3 6-core shielded cable 3m direct connection with NDI7P on the tip NDI7P:PRC03-12A-10-7M
TEDS support	Built-in PRC03-12A-10-7M

Note : When installing, prepare a jig so that the pedal coming into contact with the bottom of the load cell can become flat separately, and fix the jig using 4-M3. The tap depth of 4-M3 is 2mm. Please be sure not to exceed 2mm as it will cause malfunction. Two hook-and-loop fasteners to fasten are included. Please use them when fixing to the pedal. This product is non-waterproof. Please take that into account when using.

Other company names and product names in this document are the trademarks or registered trademarks of their respective owners.
Features and specifications are subject to change without notice.
Precaution : To ensure safe handling and operation, read the Instruction Manual before use.

TEAC EUROPE GmbH.

Bahnstr.12, 65205 Wiesbaden-Erbenheim, Germany
Phone : +49-(0)611-7158-362
Fax : +49-(0)611-7158-392
Email: ipd-sales@teac.eu
<https://teac.eu/en/>

Copyright© 2018 TEAC CORPORATION. All rights reserved.