

TEAC

Load cell for spot welding
pressure control

24bit / 1kHz support
Portable digital indicator

TC-WLD(T) + TD-01 Portable

A Perfect Team

for Spot Welding Pressure Force Measurement on Production Lines

On-site confirmation of pressurizing force



Load cell for spot welding pressure control

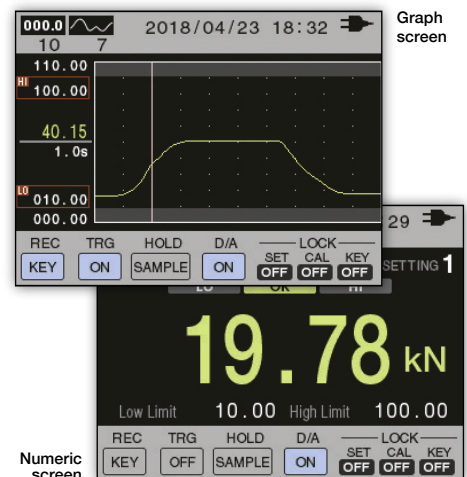
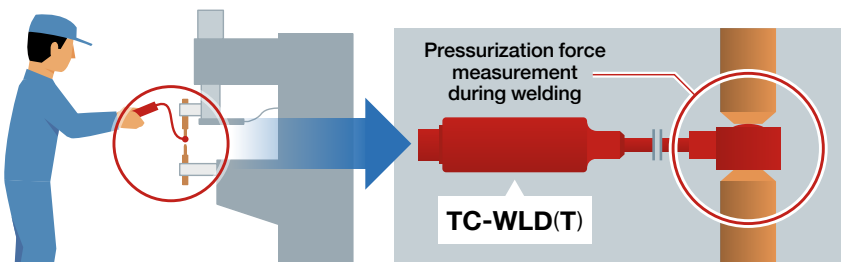
TC-WLD(T)



Portable digital indicator
TD-01 Portable

The ideal combination for easy and safe on-site measurement and inspection of spot welding pressure

Application example



Specifications

TC-WLD(T)

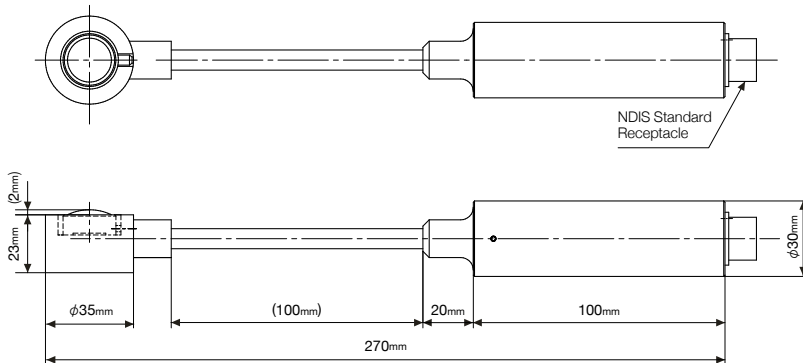
Rated Capacity	10kN, 20kN
Safe Overload Rating	120% R.C.
Rated Output (R.O.)	1mV/V \pm 50% (10kN) 1.5mV/V \pm 50% (20kN)
Non-linearity	1.0%R.O. (10kN) 2.0%R.O. (20kN)
Hysteresis	1% R.O.
Repeatability	1% R.O.
Zero Balance	\pm 10% R.O.
Safe Excitation Voltage	7V
Input Terminal Resistance	350 \pm 5%
Output Terminal Resistance	350 \pm 5%
Insulation Resistance	> 1000M Ω or more (DC50V)
Compensated Temperature Range	0 to 50°C
Safe Temperature Range	-10 to 60°C
Temperature Effect on Zero Balance	0.5% R.O./10°C
Temperature Effect on Output	0.5% R.C./10°C
TEDS	Built in the load cell
NDIS Standard Receptacle	NDIS7P(PRC03-21A10-7F)
Supplied cable	ϕ 6 6-core shielded cable 1m with plug connector at both ends Connector : PRC03-12A10-7M

TD-01 Portable

Calibration precision	Within 0.1% F.S.	
Nonlinearity	Within 0.01% F.S. + 1 digit (when 5mV/V)	
A/D conversion	1000 times/second, 24-bit	
Digital filter	Moving average (select from OFF, 16, 32, 64,128, 256, 512, 1024, 2048)	
Output voltage	BNC : \pm 2.0 V	
TEDS function	IEEE1451.4 class 2 mix mode interface	
Display	Display	2.4" color TFT LCD
	Display modes	Setting screens, indicator value digital display, graph display, recorded data list display, static strain display
	Languages	Japanese/English
Display range	-99999 to 99999	
Calibration methods	Zero calibration/span calibration (TEDS calibration, actual load calibration, equivalent input calibration)	
Hold functions	Sample hold, peak hold, bottom hold, zone definition hold (peak, bottom)	
Data recording	Indicator value : 300 maximum Graph recording : 8 maximum	
Power supply	4 alkaline or NiMH AA batteries USB bus power (built-in Micro-USB B connector)	
Applicable standards	CE marking, VCCI (Class A), FCC (Class A)	
External dimensions (W×H×D)	Approximately 85mm × 140mm × 35mm (without protrusions)	
Weight	About 320 g (including batteries)	

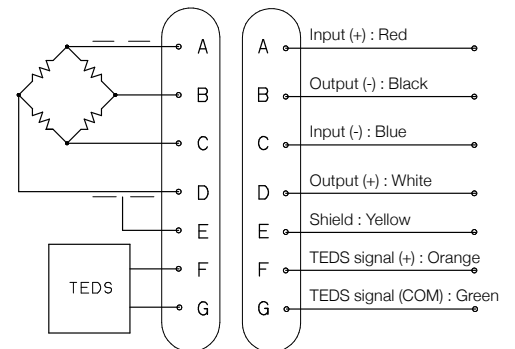
Dimensional outline drawing

TC-WLD(T)



Cable wiring diagram

TC-WLD(T)



TEAC Europe GmbH

Bahnstrasse 12, 65205 Wiesbaden-Erbenheim, Germany
 Phone : +49-611-7158-349 Fax : +49-611-7158-392
 URL : <https://teac.eu/en/>
 E-Mail : info@teac.eu



Load cell site

Copyright© 2018 TEAC CORPORATION. All rights reserved.

Precaution : To ensure safe handling and operation, read the Instruction Manual before use.
 Specifications and appearance are subject to change without notice.
 Company names and product names in this document are the trademarks or registered trademarks of their respective owners.